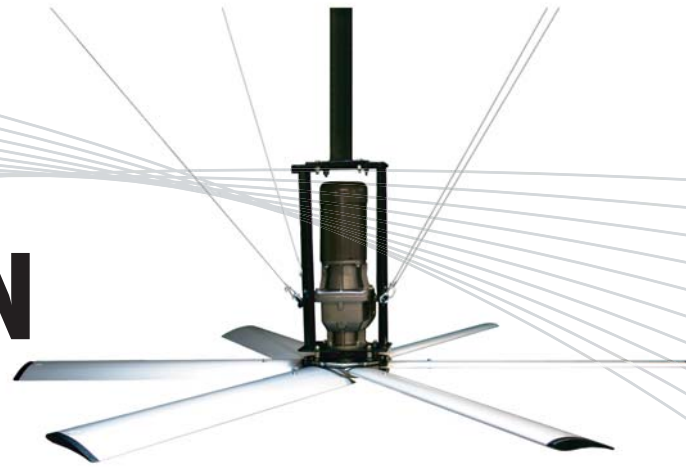




# FUSION™ HVLS FAN

## PRODUCT SPECIFICATIONS

HIGH VOLUME LOW SPEED FAN



### Design Highlights

- Large “Air Current Depth” - horizontal floor jet of 3-9 ft (1-3 m)
- Contributes to LEED® Certification credits and qualifies for most energy rebate programs
- High performance WhisperFoil XL blades optimize forward and reverse functionality
- Anodized protected blades are corrosion-resistant
- Load reducing Universal Mount System
- Patent pending Blade-Lock Safety System™ includes guy wires and safety cable
- Strong and durable Hybrid Hub
- Reversible H Beam Blade Struts for superior blade connection to hub
- Precision speed controller includes EMI/RFI filter to comply with FCC, CE, and EMC REGs
- Premium wiring package reduces installation costs (labor and material)
- Motor Control Panel includes On/Off Disconnect with lock-out/tag-out capability
- Remote Variable Speed Control

### Motor Size

- 1 HP (All Blade Sizes)
- 1.5 HP (20 FT/6.1 M Blades Only)
- 2 HP (24 FT/7.3 M Blades Only)

### Fan Diameter

- 8 FT (2.4 M)
- 10 FT (3.0 M)
- 12 FT (3.7 M)
- 14 FT (4.3 M)
- 16 FT (4.9 M)
- 18 FT (5.5 M)
- 20 FT (6.1 M)
- 24 FT (7.3 M)

### Available Options

- Stainless Steel Motor
- Explosion Proof Motor
- Powder Coated Blades \_\_\_\_\_
- Colored Anodized Blades \_\_\_\_\_
- Heresite Coating
- Hot Dip Galvanized
- Elegance Upgrade Package
- NEMA 4X Rated Control Panel
- UL Listed Control Panel
- Glulam Clamp (For Wood Structures)
- Extra Wide Beam Plate
- Super Short Mount
- Mounting Extension \_\_\_\_\_ FT / M

### Project Information

Job Name \_\_\_\_\_  
 Address \_\_\_\_\_  
 General Contractor \_\_\_\_\_  
 Distributor \_\_\_\_\_  
 Model \_\_\_\_\_ Quantity \_\_\_\_\_ Voltage/Phase \_\_\_\_\_

### Certified For Construction

By \_\_\_\_\_  
 Company \_\_\_\_\_  
 Address \_\_\_\_\_  
 Date \_\_\_\_\_

# KELLEY FUSION™ HVLS FAN

## Construction

Frame ..... Black Powder Coat / Welded A36 Steel Fabrication  
 Hybrid Hub ..... 356 T-6 Cast Aluminum  
 Blade Struts (Invertible) ..... Black Anodized / 6061 T-6 Aluminum  
 Blades ..... Anodized / 6063-T6 Aluminum  
 Blade End Caps ..... ABS Plastic

## Safety Components

Blade Retaining Links (6) ..... Zinc Plated / 10 GA A569 Steel  
 Safety Cable ..... Galvanized / 1/4" x 7 x 19 Steel Aircraft Grade Cable  
 Guy Wires ..... Galvanized / 1/8" x 7 x 19 Steel Aircraft Grade Cable  
 Safety Link Extenders (6) ..... Zinc Plated / 10 GA A569 Steel  
 Rotor Retaining Ring ..... Zinc Plated / 3/16 A569 Steel

## Mounting Hardware

Standard Mount ..... Universal I-Beam Clamp w/ Swivel Joint & 7.5" Drop  
 Glulam Mount (Optional) ..... Brackets w/ Swivel Joint & 7.5" Drop  
 Extra Wide / Thick I-Beam Mount (Optional) ..... Consult Factory  
 Additional Drop Extensions (Optional) ..... Up to 10 FT in 1 FT Increments

## Motor

Phase ..... 3  
 Volts ..... 208-230/460 3Ø  
 Insulation Class ..... F

## Gearbox

Type ..... 2-Stage Helical  
 Service Interval ..... Lubed For Life

## Motor Control Panel (MCP)

Standard Power ..... 208-230V 1Ø or 3Ø, 460-480V 3Ø  
 Enclosure ..... NEMA 1  
 Disconnect Switch ..... 20-25 Amp, Lockable  
 Remote Control Wall Mounted Switch ..... NEMA 4X Fwd/Off/Rev w/Speed Control Knob  
 RF Line Filter ..... Built In  
 VFD Motor Drive Cable ..... 25 Feet / 7.62 Meters  
 Remote Cable ..... 100 Feet / 30.48 Meters  
 Special Wiring (Optional) ..... Consult Factory  
 Enclosure (Optional) ..... NEMA 4/ 4x  
 50hz Operation (Optional)  
 Line Reactor (480V Only) (Optional)

## Warranty

Blades, Hub & Mounting System ..... Limited Lifetime  
 Drive System ..... 12 Year Limited

Fan Size	Displacement	KW Usage	Hanging Weight
8 FT 1 HP	53,693 CFM (1,518 CMM)	.684	160 lbs. (73 kg)
10 FT 1 HP	83,025 CFM (2,351 CMM)	.559	181 lbs. (82 kg)
12 FT 1 HP	97,695 CFM (2,766 CMM)	.605	190 lbs. (86 kg)
14 FT 1 HP	128,010 CFM (3,625 CMM)	.734	194 lbs. (86 kg)
16 FT 1 HP	158,911 CFM (4,500 CMM)	.693	208 lbs. (94 kg)
18 FT 1 HP	179,015 CFM (5,069 CMM)	.648	222 lbs. (101 kg)
20 FT 1 HP	201,805 CFM (5,715 CMM)	.592	232 lbs. (105 kg)
20 FT 1.5 HP	237,231 CFM (6,718 CMM)	1.03	217 lbs. (98 kg)
24 FT 1 HP	275,694 CFM (7,807 CMM)	.694	240 lbs. (109 kg)
24 FT 2 HP	376,804 CFM (10,670 CMM)	1.65	236 lbs. (107 kg)

