

Wheel Chocks & Chains

TRAILER MOVEMENT DEFENSE SPECIFICATION

OSHA recommends trailer wheels be chocked during loading and unloading. APS Resource offers many sizes of laminated rubber, molded and aluminum wheel chocks to help prevent trucks from rolling.



Design Highlights

- Available in various sizes and styles
- 3/16" plated rust proof coil chain sold separately
- Optional "Truck Wheels Must Be Chocked" sign available
- Combine with APS &GO communication system for even greater safety at the dock
- APS Resource warrants this product will be free from defects in material and workmanship under normal use for (1) year

Project Information

Job Name _____

Address _____

General Contractor _____

Distributor _____

Model _____

Quantity _____

Certified For Construction

By _____

Company _____

Address _____

Date _____



Wheel Chocks & Chains

TRAILER MOVEMENT DEFENSE SPECIFICATION

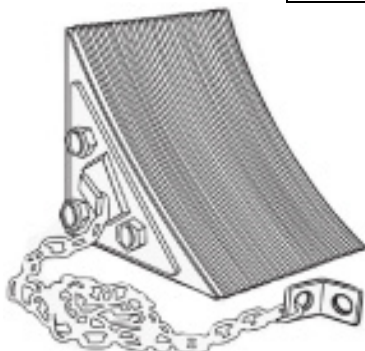
Specification

Laminated Rubber	Est. Weight
8"x8"x8" Chock	15 lbs.
8"x8"x8" Chock w/10' Chain	19 lbs.
8"x8"x8" Chock w/15' Chain	21 lbs.
8"x8"x8" Chock w/20' Chain	23 lbs.

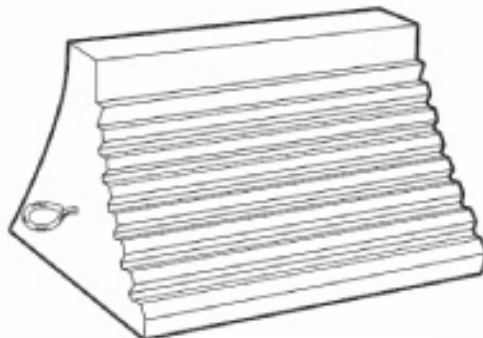
Molded Rubber	Est. Weight
6"x8"x9" Chock	9 lbs.
6"x8"x9" Chock w/ 10' Chain	13 lbs.
6"x8"x9" Chock w/ 15' Chain	15 lbs.
6"x8"x9" Chock w/ 20' Chain	17 lbs.

Aluminum	Est. Weight
11-5/8"x8"x7" Chock	6 lbs.
11-5/8"x8"x7" Chock w/ 10' Chain	7 lbs.
11-5/8"x8"x7" Chock w/ 15' Chain	8 lbs.
11-5/8"x8"x7" Chock w/ 20' Chain	10 lbs.

Misc.	Est. Weight
"Truck Wheels Must be Chocked" Sign	.5 lbs.
Chain only for Chock, 10'	4 lbs.
Chain only for Chock, 15'	6 lbs.
Chain only for Chock, 20'	8 lbs.



Laminated
w/ optional chain



Molded



Aluminum

