

# EOD Installation with Recessed Pit

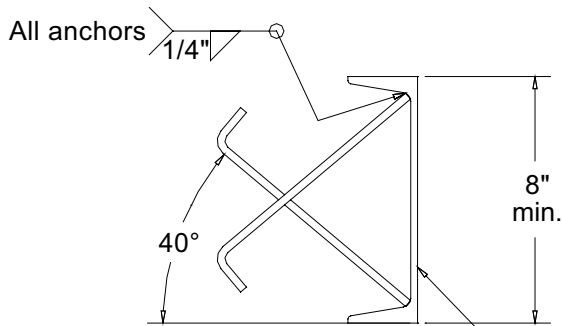
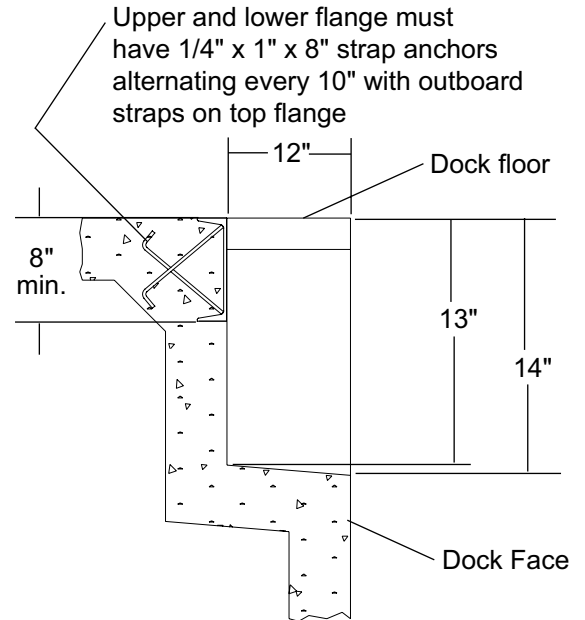


Applies to Edge-of-Dock levelers manufactured beginning March 2009 with the serial numbers 10263626 and higher.

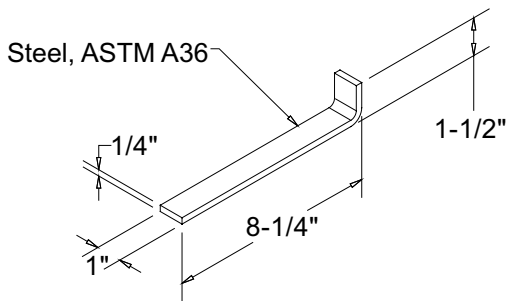
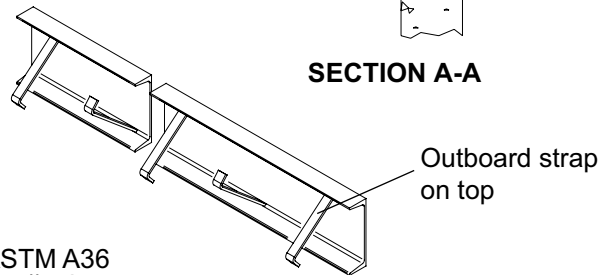
## MECHANICAL EOD LEVELERS

1. Use a minimum 12" x 14" pit recess with an additional 3" of clearance per side of leveler. See Fig. 1.
2. Follow the section that addresses your installation and then continue to the **GENERAL INSTALLATION** section in the your User's Manual included with your leveler.

Fig. 1



Steel, ASTM A36  
C8 X 11.5# min.



3" x 3" x 1/4" curb angle  
with anchors (by others)

Architect to specify thickness of  
concrete floor and dock wall  
for specific application

