

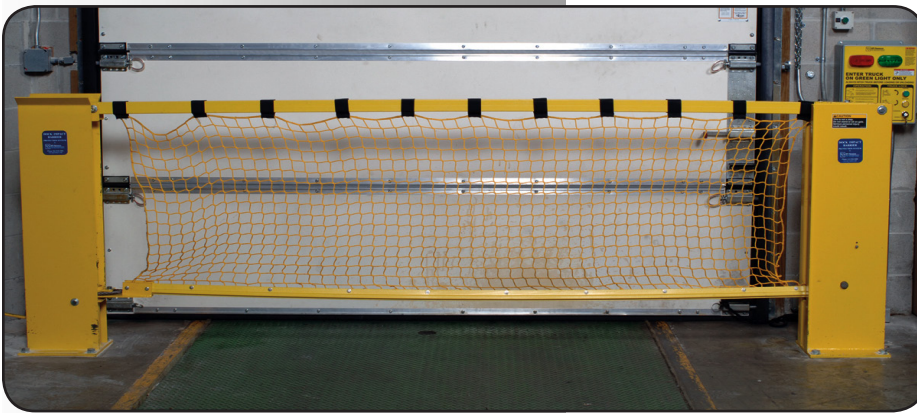
Dock Impact Barrier™

SPECIFICATION

The new APS Dock Impact Barrier can reduce the occurrence of accidents due to fork lift, pallet jack or pedestrians falling off dock when door is open. Also reduces damage to equipment, load, door panels and door track when door is closed.

Design Highlights

- High visibility yellow
- Stops a 10,000 lb gross load at 4 mph
- Easy manual operation; no electrical requirement
- Protects overhead doors & tracks
- Three sizes to fit:
 - 8' Door, Est. weight 370 lbs
 - 9' Door, Est. weight 380 lbs
 - 10' Door, Est. weight 390 lbs
- APS Resource warrants this product will be free from defects and workmanship under normal use for (1) year



Project Information

Job Name _____

Address _____

General Contractor _____

Distributor _____

Model _____

Quantity _____

Certified For Construction

By _____

Company _____

Address _____

Date _____



Dock Impact Barrier™

SPECIFICATION

Construction Features

- 9/16" diameter heavy-duty steel industrial cable encased in flexible fiberglass rail withstands the impact of up to 10,000 lb gross load
- Safety latch mechanism securely locks rail in place
- Heavy-duty side members provide added protection
- High-visibility yellow nylon webbing and rails attract attention to a potentially dangerous dock opening
- 8³/₄" x 6" anchors included

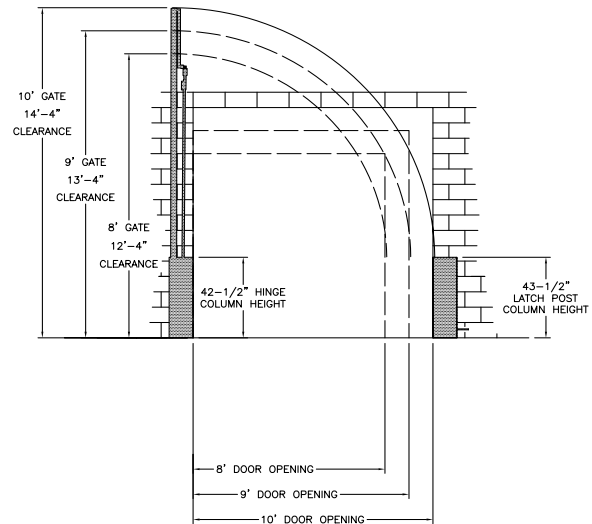
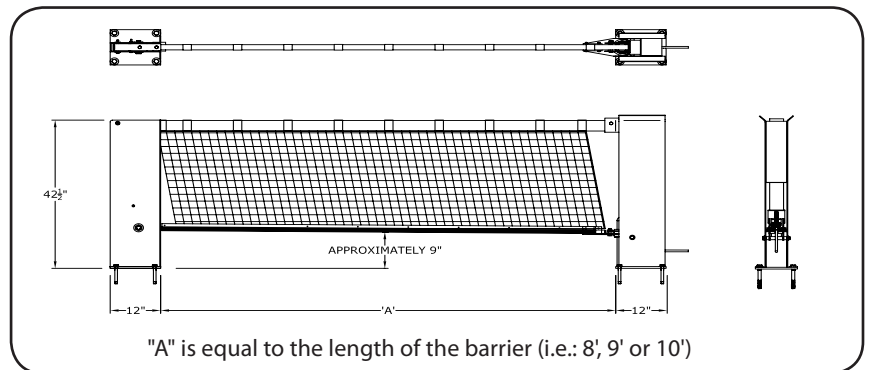


FIGURE 1 - GATE CLEARANCE REQUIREMENTS

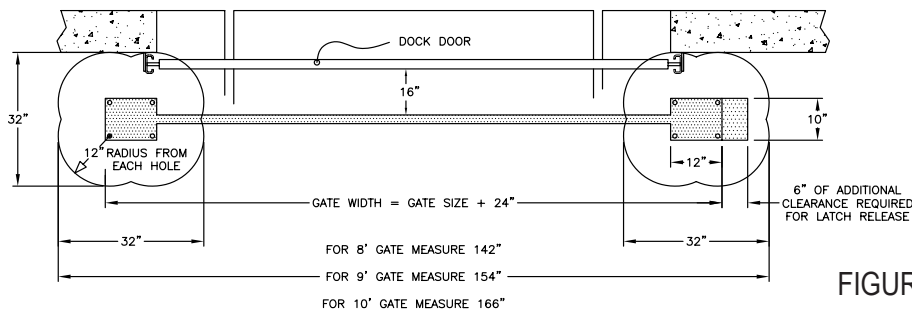


FIGURE 2 - OVERHEAD VIEW